

GreenWall 50

Product

Trellis system in stainless steel.

Distance from wall: 50 mm. 50 mm dia. base plate.

Uses

A trellis system developed for smaller green facades and climbing plants. Installation of the system is simple and quick and creates a clean, stylish look.

Description

GWB50/50/S. Wall bracket in stainless steel with universal fixing.

Max. distance between wall brackets: 3 m.

210.4.M Wire tensioner in stainless steel.

240.4 Wire in stainless steel, 4 mm dia.

Wire is sold in rolls of 25 m, 50 m and 100 m.

Mechanical Specifications

Mass of bracket type: 155 g.

Tensile Yield Strength: 230 MPa.

Tensile Ultimate Strength: 540 MPa.

Maximum bracket breaking load: 2 kN.

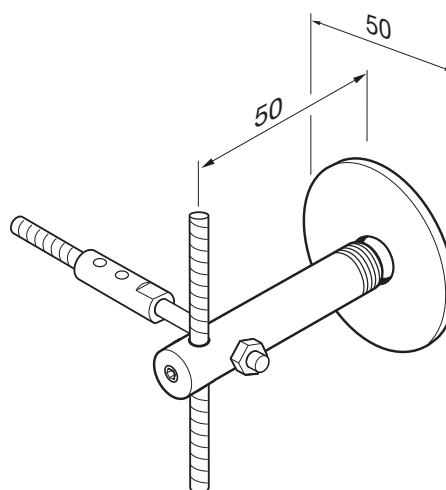
Maximum system working load*: 3 kN.

*1 system includes 1x wire tensioner and 6x brackets.

Install in accordance with instructions provided by Milford.



liveable cities



Code	Description	Material	Distance from wall
GWB50/50/S	Wall bracket with fixing	Stainless Steel	50 mm
210.4.M	Wire tensioner, 4 mm wire	Stainless Steel	
240.4	4 mm dia. wire	Stainless Steel	